



ROUND STRAIGHT ALUMINUM  
POLE IN RAL 7024 GRAPHITE  
FINISH

NO GROOVES OR FLUTES WILL  
BE IN POLE. IT WILL BE  
SMOOTH.

ROUND BASE IN RAL  
GRAPHITE FINISH

NO GROOVES OR FLUTES  
WILL BE IN BASE.

THERE WILL ALSO BE A  
BREAK-AWAY "SKIRT" THAT  
WILL HIDE THE BREAK-AWAY  
ANCHOR BOLTS FROM VIEW.

THE SKIRT WILL BE A FEW  
INCHES TALLER THAN SHOWN  
IN HERE

# Rockford Harbor Series Pole

Aluminum, SiteLink Straight L5J Shaft

Tenon: Ø3"x6", Finish: Graphite

(1)GFI Receptacle with Small, In-Use Weatherproof Cover

\*GFI to be Weather Resistance & Tamper Resistant

(1)Single Bishops Crook Arm w/Quick-Stem hub

(1)Breakaway Kit to include Bearing Plate & Skirt

(1)Set of 3/4" Transpo Break-away Couplings

(1)Set 3/4"x18" Anchor Bolts

**Hallbrook GlasWerks LED with Flat Glass**

(see standard cut sheet)

Round straight aluminum pole

Pole manufacturer to provide drilled hole for future camera power/data cord. Factory applied finish to be applied after hole is drilled.

Plastic plug for hole to also be factory provided for removal at a later date by camera installer

16'-11" (Nominal Height)

2'-7" (Pole Height)

Maintain round smooth decorative base (aluminum).

Camera at two locations size approximate

Receptacle at base of smooth pole oriented toward sidewalk

Maintain breakaway base and cover skirt.

Ø5 1/4"

**LOADING DATA**  
WIND LOADING :  
90MPH  
1.14 GUST  
AASHTO 2013

**INITIAL INSTALLATION:**

2.44 SQ FT  
(EQUIVALENT POLE TOP EPA)  
68.0 LBS  
(CURRENT LOADING WEIGHT)

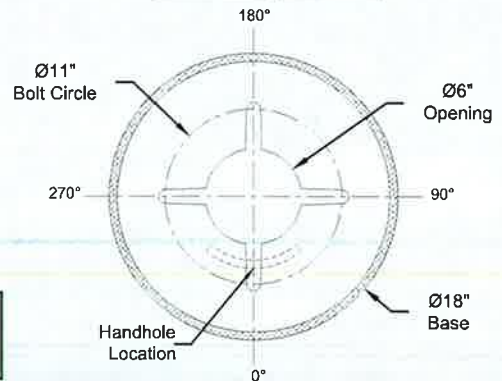
**FUTURE INSTALLATION:**

32.5 SQ FT  
(ADD'L EQUIV POLE TOP EPA)  
813.0 LBS  
(ADD'L LOADING CAPACITY)

**Accessory Mounting Detail**

	Orientation	Height
RECEPTACLE		

**Anchorage Detail**



**CUSTOMER NOTES:**

- STANDARD SPECS NOT SHOWN HERE CAN BE FOUND ON SEPARATE CUT SHEETS (PLEASE SEE SALES).
- CUSTOMER MUST IDENTIFY ACCESSORY HEIGHTS AND ORIENTATIONS IN THE TABLE ABOVE DURING APPROVAL. SHOWN IN ASSEMBLY FOR VISUAL ONLY.
- LOADING DATA PROVIDED BASED ON ASSEMBLY SHOWN. ANY ADDITIONAL WEIGHT/EPA MAY NEED TO BE VERIFIED BY HOLOPHANE ENGINEERING.
- ANCHORAGE DETAIL PROVIDED FOR VISUAL ONLY - DO NOT USE TO SET ANCHOR BOLTS.**
- APPROVED SUBMITTAL TO ACCOMPANY PO.

**Catalog #'s:**

Pole: RHA12'7"L5J18P09GH RXXX RFD314484  
Anchor Bolts: AB-31-4  
Roadway Arm: 1BC90R15FGHQSM RFD314484  
Receptacle: FGIUS-SBKH-TWR RFD314484  
Breakaway Kit: RHA18BRKWYKITGH  
Breakaway Couplings: TRANSPO SPM4075XL  
Fixture: GSLF2P3030KAS4HL2A0

Customer Signature

Date



**Village of Franklin Downtown Streets**  
Franklin, MI

ORDER #: 2000-20-12330-0	TYPE: TYPE OA	DRAWING #:
REVISION:	REVISION DATE:	TSG012163
DRAWN: MAB	ORIGIN DATE: 06/22/20	PAGE: 1 of 2

THIS DRAWING, WHEN APPROVED, SHALL BECOME THE COMPLETE SPECIFICATION FOR THE MATERIAL TO BE FURNISHED BY HOLOPHANE ON THE ORDER NOTED ABOVE. A UNIT OF SIMILAR DESIGN MAY BE SUPPLIED, BUT ONLY AFTER APPROVAL BY THE CUSTOMER IN WRITING. ON POLE ORDERS AN ANCHOR BOLT TEMPLATE PRINT WILL BE SUPPLIED WITH EACH ANCHOR BOLT ORDER TO MATCH THE POLE PROVIDED. THIS PRINT IS THE PROPERTY OF HOLOPHANE AND IS LOANED SUBJECT TO RETURN UPON DEMAND AND UPON EXPRESS CONDITION THAT IT WILL NOT BE USED DIRECTLY OR INDIRECTLY IN ANY WAY DETRIMENTAL TO OUR INTERESTS, AND ONLY IN CONNECTION WITH MATERIAL FURNISHED BY HOLOPHANE.